



## GATE VALVE NON RISING STEM

Valves are manufactured and tested in accordance with BS EN 1171 PN 10 /16 /25, TIS 432 PN 6 /10 /16 and also meet the requirements of MSS SP-70 class 125/250, Suitable for all types of water, air and steam.

*SIZE: 50 mm - 2400 mm*

## FEATURES

- IBBM (iron body and bronze mounted), stainless steel trim, and all iron trim is also available.
- Valve ends can be flanged or screwed.
- Flanged drilling to suit ANSI B 16.1, BS EN 1092-2, BS 10, ISO 2531, AS 2129, DIN, JIS, FLANGE ANSI B 16.5 CL.150/CL.300, and etc.
- Various types of operators such as handwheel, operating nut or cap, chainwheel, spur gear, bevel gear, pneumatic, hydraulic and electric actuator can be provided upon requested.
- Special accessories like by-pass unit, valve locking device, tapped bosses, drain plug, indicator and limit switches are also available.
- Coating Fusion Bond Epoxy, WET Epoxy and Polyester.

# GATE VALVE

## Materials

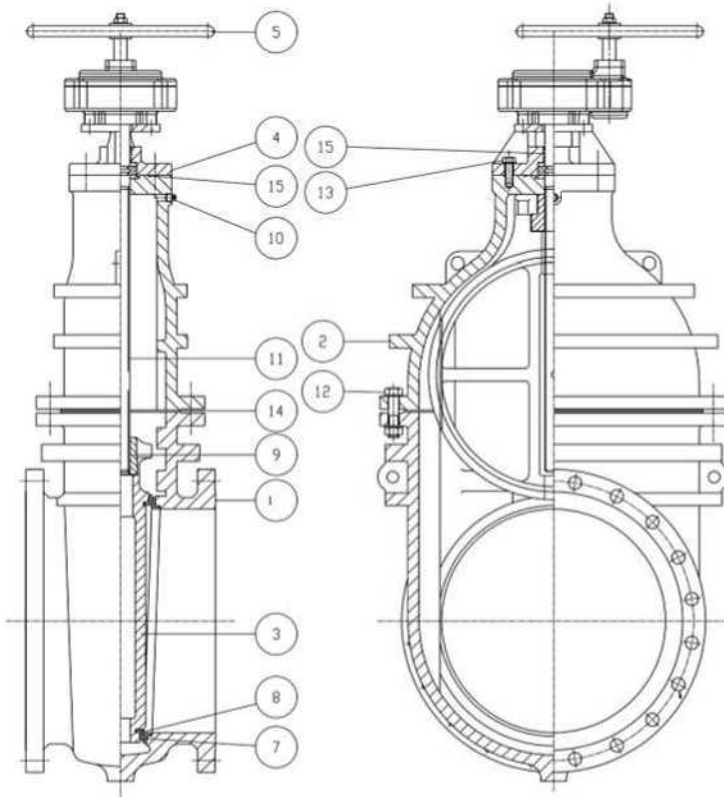
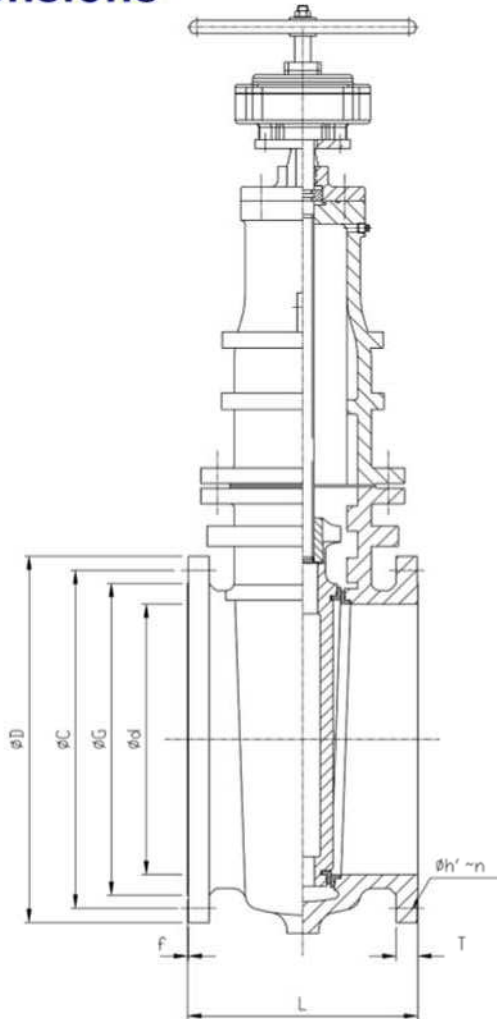


Figure:154

NO.	PARTS	MATERIALS	BS. SPEC.	ASTM. SPEC.	TIS. SPEC.
1	Body	Cast Iron	EN 1561-EN-GJS-250	A 126 Class B	TIS. 536
		Ductile Iron	EN 1563-EN-GJS-500-7	A 536 Grade 65-45-12	TIS. 537(SGI 500)
2	Bonnet	Cast Iron	EN 1561-EN-GJS-250	A 126 Class B	TIS. 536
		Ductile Iron	EN 1563-EN-GJS-500-7	A 536 Grade 65-45-12	TIS. 537(SGI 500)
3	Disc	Cast Iron	EN 1561-EN-GJS-250	A 126 Class B	TIS. 536
		Ductile Iron	EN 1563-EN-GJS-500-7	A 536 Grade 65-45-12	TIS. 537(SGI 500)
4	Stuffing Box	Cast Iron	EN 1561-EN-GJS-250	A 126 Class B	TIS. 536
		Ductile Iron	EN 1563-EN-GJS-500-7	A 536 Grade 65-45-12	TIS. 537(SGI 500)
5	Hand Wheel	Cast Iron	EN 1561-EN-GJS-250	A 126 Class B	TIS. 536
6	Gear Operator				
7	Body Seat Ring	Stainless Steel	Gr 1. 4301,4401	A 276 Type 304,316	-
		Bronze/Gunmetal	EN1982-CC491K	B 62	-
8	Disc Seat Ring	Stainless Steel	Gr 1. 4301,4401	A 276 Type 304,316	-
		Bronze/Gunmetal	EN1982-CC491K	B 62	-
9	Stem Nut	Bronze/Gunmetal	EN1982-CC491K	B 62	-
10	Plug	Malleable Iron			-
11	Stem	Stainless Steel	Gr 1.4301,4401,4057,4021	A 276 Type 304,316,431,420	-
12	Bolt&Nut	Galvanized Steel	4190	A 307 Grade B	TIS. 171
		Stainless Steel	Gr 1. 4301,4401	A 276 Type 304,316	-
13	Bolt	Galvanized Steel	4190	A 307 Grade B	TIS. 171
		Stainless Steel	Gr 1. 4301,4401	A 276 Type 304,316	-
14	Bonnet Gasket	Rubber (NBR)	EN 681-1	D 2000 BK 707	-
		Rubber (EPDM)	EN 681-1	D 2000 CA 707	-
15	O-Ring	Rubber (NBR)	EN 681-1	D 2000 BK 707	-
		Rubber (EPDM)	EN 681-1	D 2000 CA 707	-

# GATE VALVE

## Dimensions



## ANSI B16.5 CLASS 150,300

SIZE		L	FLANGED ANSI B16.5 CLASS 150 (INCH)							FLANGED ANSI B16.5 CLASS 300 (INCH)						
mm	inch		ØD	ØC	ØG	Øh	n	T	f	ØD	ØC	ØG	Øh	n	T	f
50	2	178	6	4.75	3.62	0.75	4	0.62	1/16	6.50	5.00	3.62	0.75	8	0.88	1/16
80	3	203	7.5	6	5	0.75	4	0.75	1/16	8.25	6.62	5	0.88	8	1.12	1/16
100	4	229	9	7.5	6.19	0.75	8	0.94	1/16	10	7.88	6.19	0.88	8	1.25	1/16
150	6	267	11	9.5	9.5	0.88	8	1	1/16	12.50	10.62	9.5	0.88	12	1.44	1/16
200	8	292	13.5	11.75	10.62	0.88	8	1.12	1/16	15	13	10.62	1	12	1.62	1/16
250	10	330	16	14.25	12.75	1	12	1.19	1/16	17.5	15.25	12.75	1.12	16	1.88	1/16
300	12	356	19	17	15	1	12	1.25	1/16	20.50	17.75	15	1.25	16	2	1/16
350	14	381	21	18.76	16.25	1 1/8	12	1.38	1/16	23	20.25	16.25	1.25	20	2.12	1/16
400	16	406	23.5	21.25	18.50	1.12	16	1.44	1/16	25.50	22.50	18.50	1.38	20	2.25	1/16
450	18	432	25	22.75	21	1.25	16	1.56	1/16	28	24.75	21	1.38	24	2.38	1/16
500	20	457	27.5	25	23	1.25	20	1.69	1/16	30.50	27	23	1.38	24	2.5	1/16
600	24	508	32	29.5	27.25	1.38	20	1.88	1/16	36	32	27.25	1.62	24	2.75	1/16
700	28	610	36.5	34	31.25	1.38	28	2.06	1/16							
750	30	610	38.75	36	33.75	1.38	28	2.12	1/16							
800	32	660	41.75	38.5	35.75	1.62	28	2.25	1/16							
850	34	660	43.75	40.5	37.75	1.62	32	2.31	1/16							
900	36	711	46	42.75	40.25	1.62	32	2.38	1/16							
1000	42	813	53	49.5	47	1.62	36	2.62	1/16							

other size or pressure. please contact manufacturer.



**SCI CORPORATION Co.,Ltd.**

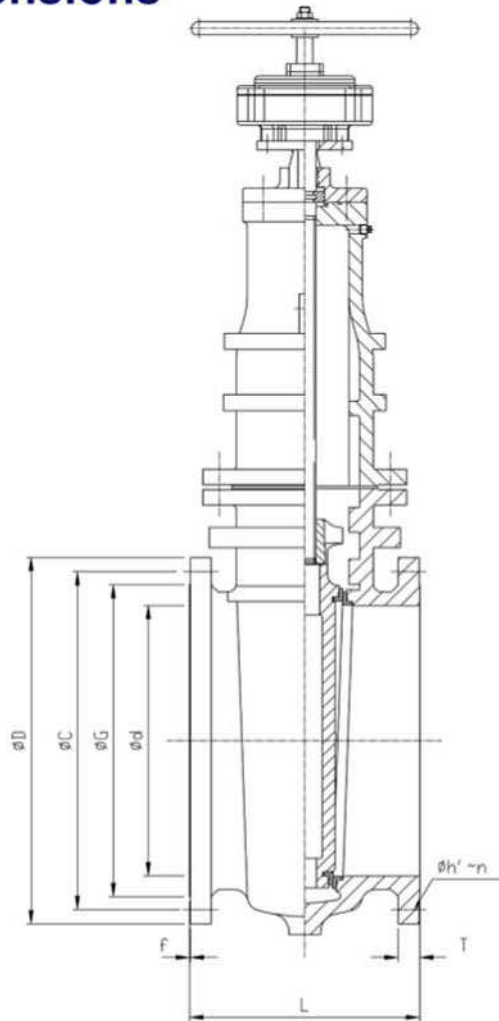
Factory: 1/12 Moo 2, Samutsakorn Industrial Estate, Soi 7,  
Rama 2 Road, Tahsai, Muang, Samutsakorn 74000, Thailand  
Tel: (6634)440-130 Fax. (6634)440-137 E-mail: sci@scivalve.com



ISO 9001:2015  
File No.438881 QM

ISO 14001:2015  
File No.438881 UM

## Dimensions



## BS EN1092-2 PN10,16

SIZE	L	FLANGED BS. EN1092-2 PN10 cast iron							FLANGED BS EN 1092-2 PN 16 cast iron						
		ØD	ØC	ØG	Øh	n	T	f	ØD	ØC	ØG	Øh	n	T	f
50	178	165	125	99	19	4	20	3	165	125	99	19	4	20	3
80	203	200	160	132	19	8	22	3	200	160	132	19	8	22	3
100	229	220	180	156	19	8	24	3	220	180	156	19	8	24	3
150	267	285	240	211	23	8	26	3	285	240	211	23	8	26	3
200	292	340	295	266	23	8	26	3	340	295	266	23	12	30	3
250	330	395	350	319	23	12	28	3	405	355	319	28	12	32	3
300	356	445	400	370	23	12	28	4	460	410	370	28	12	32	4
350	381	505	460	429	23	16	30	4	520	470	429	28	16	36	4
400	406	565	515	480	28	16	32	4	580	525	480	31	16	38	4
450	432	615	565	530	28	20	32	4	640	585	548	31	20	40	4
500	457	670	620	582	28	20	34	4	715	650	609	34	20	42	4
600	508	780	725	682	31	20	36	5	840	770	720	37	20	48	5
700	610	895	840	794	31	24	40	5	910	840	794	37	24	54	5
800	660	1015	950	901	34	24	44	5	1025	950	901	41	24	58	5
1000	813	1230	1160	1112	37	28	50	5	1255	1170	1112	44	28	66	5
1200	838	1455	1380	1328	41	32	56	5							
1400	860	1675	1590	1530	44	36	62	5							
1500	900	1785	1700	1640	44	36	65	5							
1600	965	1915	1820	1750	50	40	68	5							
1800	1300	2115	2020	1950	50	44	70	5							
2000	1400	2325	2230	2150	50	48	74	5							

other size or pressure. please contact manufacturer.



**SCI CORPORATION Co.,Ltd.**

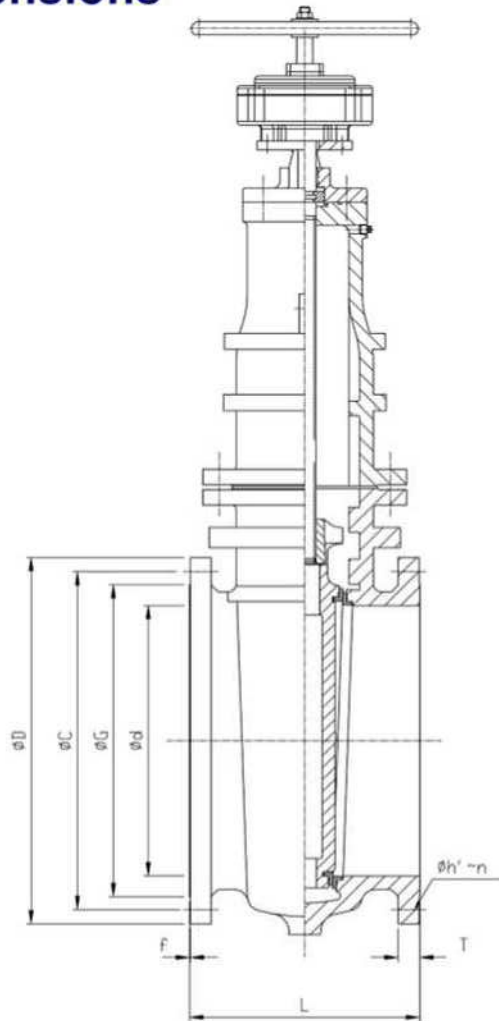
Factory: 1/12 Moo 2, Samutsakorn Industrial Estate, Soi 7,  
Rama 2 Road, Tahsai, Muang, Samutsakorn 74000, Thailand  
Tel: (6634)440-130 Fax. (6634)440-137 E-mail: sci@scivalve.com



ISO 9001:2015  
File No.438881 QM

ISO 14001:2015  
File No.438881 UM

## Dimensions



## BS EN1092-2 PN10,16

SIZE	L	FLANGED BS. EN1092-2 PN10 ductile iron							FLANGED BS EN 1092-2 PN 16 ductile iron						
		ØD	ØC	ØG	Øh	n	T	f	ØD	ØC	ØG	Øh	n	T	f
50	178	165	125	99	19	4	19	3	165	125	99	19	4	19	3
80	203	200	160	132	19	8	19	3	200	160	132	19	8	19	3
100	229	220	180	156	19	8	19	3	220	180	156	19	8	19	3
150	267	285	240	211	23	8	19	3	285	240	211	23	8	19	3
200	292	340	295	266	23	8	20	3	340	295	266	23	12	20	3
250	330	395	350	319	23	12	22	3	405	355	319	28	12	22	3
300	356	445	400	370	23	12	24.5	4	460	410	370	28	12	24.5	4
350	381	505	460	429	23	16	24.5	4	520	470	429	28	16	26.5	4
400	406	565	515	480	28	16	24.5	4	580	525	480	31	16	28	4
450	432	615	565	530	28	20	25.5	4	640	585	548	31	20	30	4
500	457	670	620	582	28	20	26.5	4	715	650	609	34	20	31.5	4
600	508	780	725	682	31	20	30	5	840	770	720	37	20	36	5
700	610	895	840	794	31	24	33	5	910	840	794	37	24	39.5	5
800	660	1015	950	901	34	24	35	5	1025	950	901	41	24	43	5
1000	813	1230	1160	1112	37	28	40	5	1255	1170	1112	44	28	50	5
1200	838	1455	1380	1328	41	32	45	5	1485	1390	1328	50	32	57	5
1400	860	1675	1590	1530	44	36	46	5	1685	1590	1530	50	36	60	5
1500	900	1785	1700	1640	44	36	47.5	5	1820	1710	1640	57	36	62.5	5
1600	965	1915	1820	1750	50	40	49	5	1930	1820	1750	57	40	65	5
1800	1300	2115	2020	1950	50	44	52	5	2130	2020	1950	57	44	70	5
2000	1400	2325	2230	2150	50	48	55	5	2345	2230	2150	62	48	75	5

other size or pressure. please contact manufacturer.



**SCI CORPORATION Co.,Ltd.**

Factory: 1/12 Moo 2, Samutsakorn Industrial Estate, Soi 7,  
 Rama 2 Road, Tahsai, Muang, Samutsakorn 74000, Thailand  
 Tel: (6634)440-130 Fax. (6634)440-137 E-mail: sci@scivalve.com



ISO 9001:2015  
 File No.438881 QM

ISO 14001:2015  
 File No.438881 UM